

Alien Invasion, Series 1

MINI HUMAN TANK

Building Instructions and Parts List

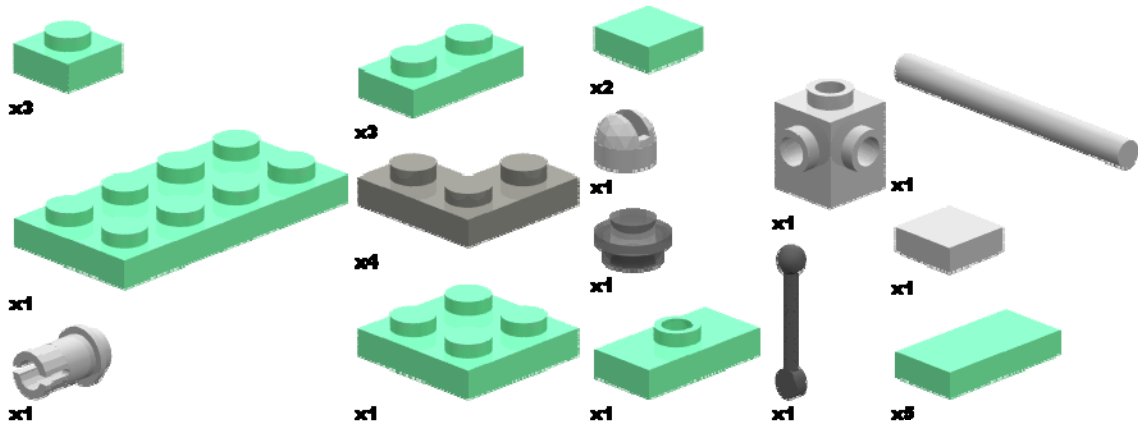
By Justin R. "Saber-Scorpion" Stebbins



A Product of *Saber-Scorpion's Lair*[™]
<http://www.saber-scorpion.com/>

© 2008 Justin R. Stebbins. All rights reserved.

Parts List



Step – Quantity – Color – Part Name

- 1 1 Sand-Green Plate 1 x 2
- 1 4 Dark-Gray Plate 2 x 2 Corner
- 2 1 Sand-Green Plate 2 x 4
- 2 4 Sand-Green Tile 1 x 2 with Groove
- 3 1 Trans-White Plate 1 x 1 Round
- 3 1 Sand-Green Plate 1 x 2
- 3 1 Sand-Green Plate 2 x 2
- 3 1 Light-Gray Tile 1 x 1 with Groove
- 3 1 Sand-Green Tile 1 x 2 with Groove
- 4 1 Sand-Green Plate 1 x 2
- 4 1 Sand-Green Plate 1 x 2 with 1 Stud
- 4 2 Sand-Green Tile 1 x 1 with Groove
- 5 1 Light-Gray Bar 4L Light Sabre Blade
- 5 1 Light-Gray Brick 1 x 1 with Studs on Four Sides
- 6 1 Light-Gray Hinge Control Stick Base
- 6 2 Sand-Green Plate 1 x 1
- 6 1 Light-Gray Technic Pin 1/2
- 7 1 Black Hinge Control Stick
- 7 1 Sand-Green Plate 1 x 1

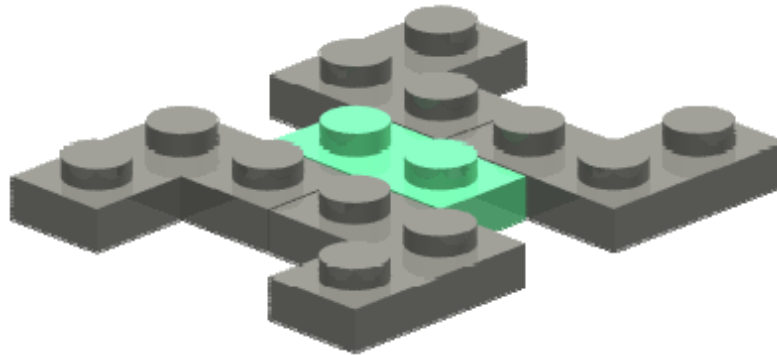
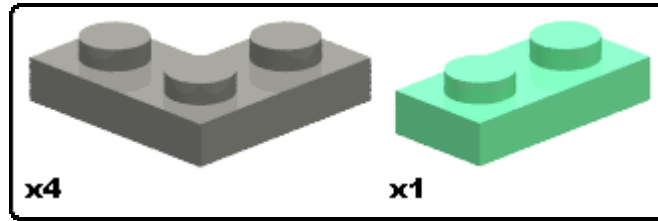
NOTE:

Using the parts list above, try visiting these sites to buy the parts you need:

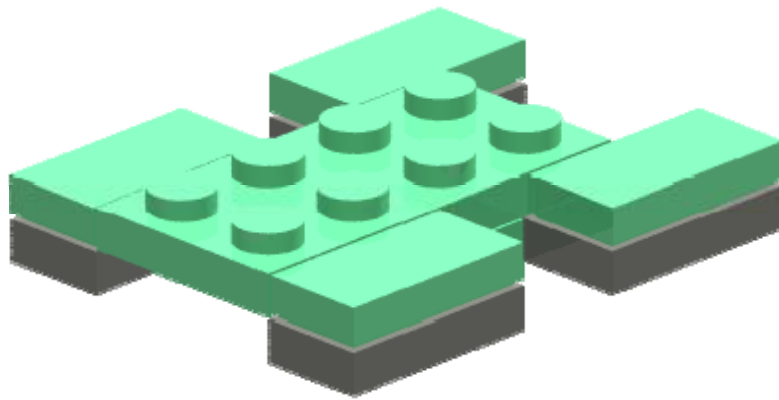
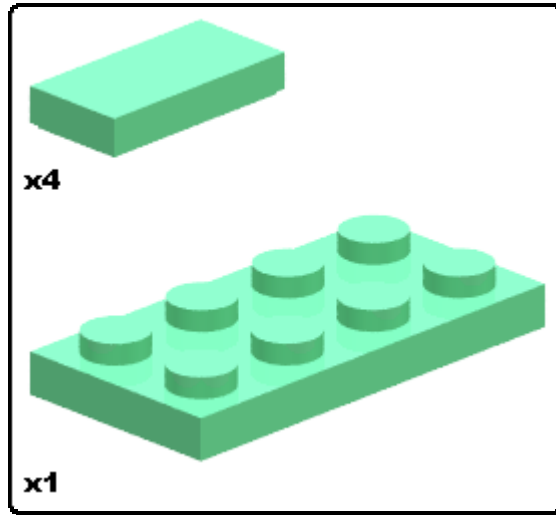
<http://www.peeron.com> - The Peeron set databases will allow you to find what parts are available in which colors in which sets! They also sometimes link to Bricklink offers.

<http://www.bricklink.com> - Bricklink works somewhat like eBay, but without the bidding. Individual sellers offer a huge variety of pieces both old and new. You can find pretty much anything you need here, if you know what to search for!

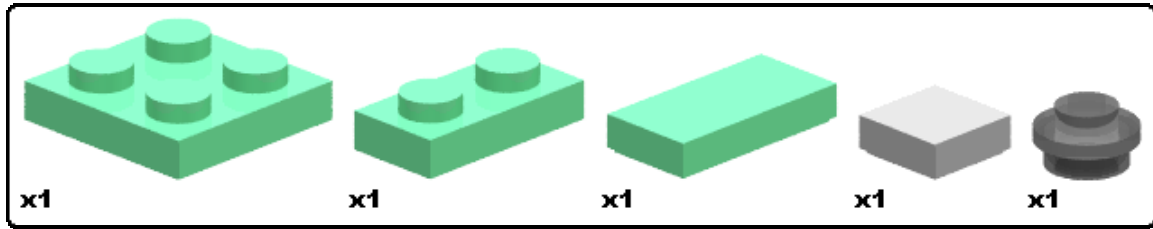
Step 1



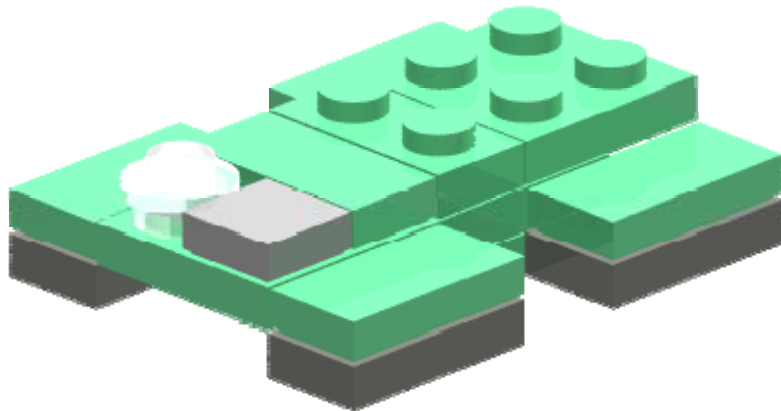
Step 2



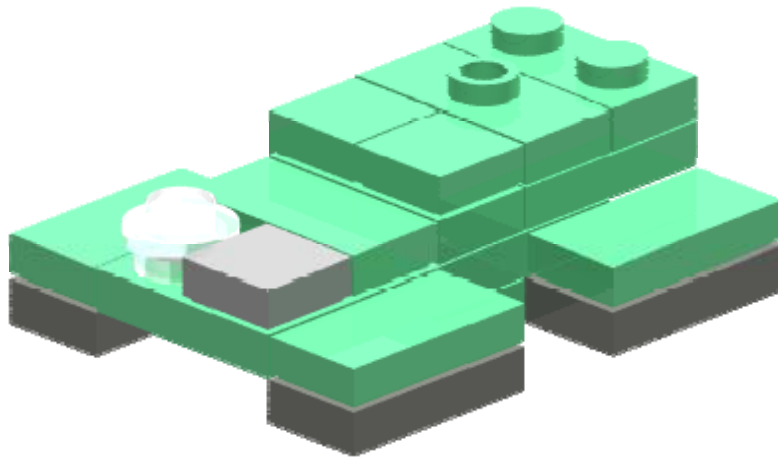
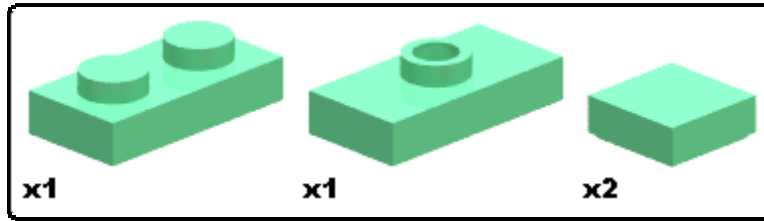
Step 3



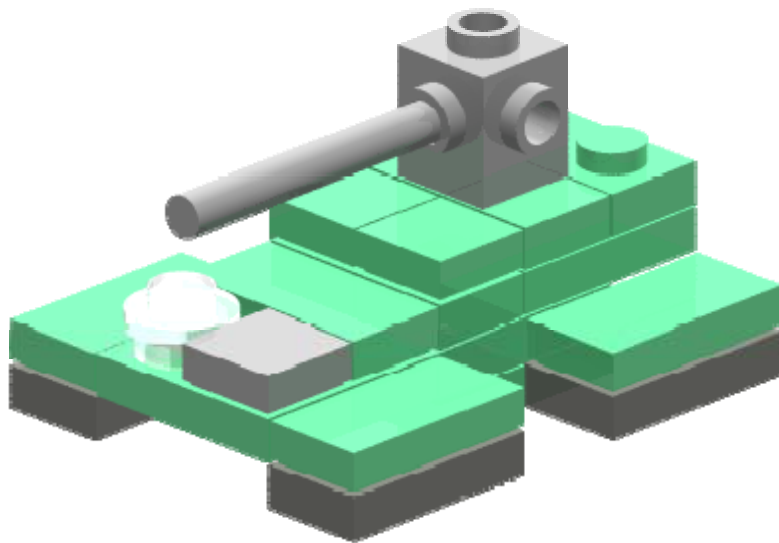
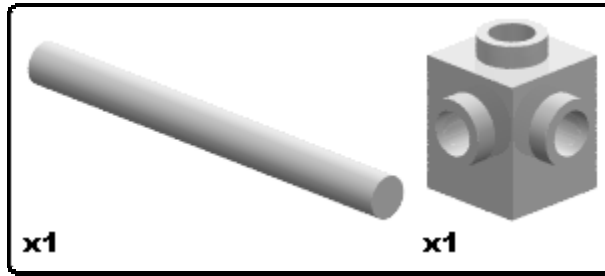
NOTE: The above round 1x1 on the far right is supposed to appear trans-white (clear).



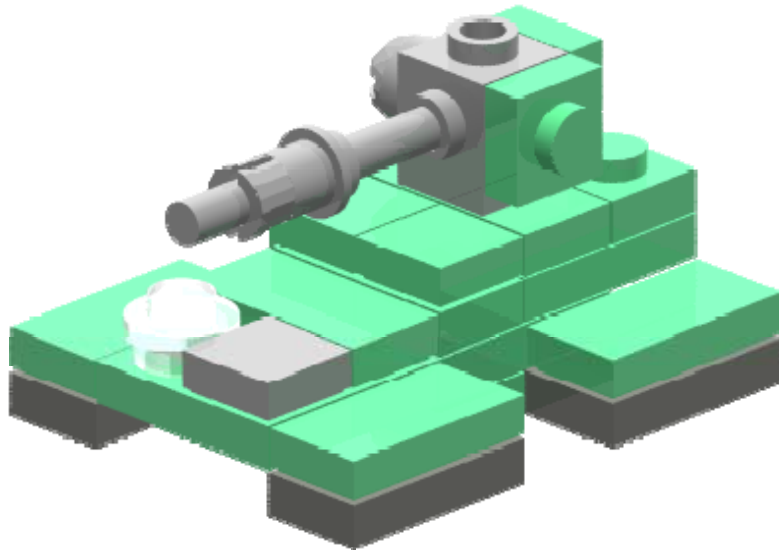
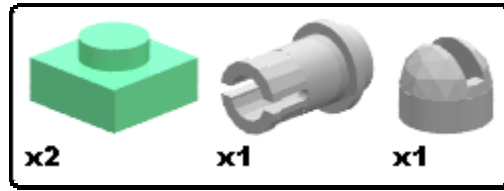
Step 4



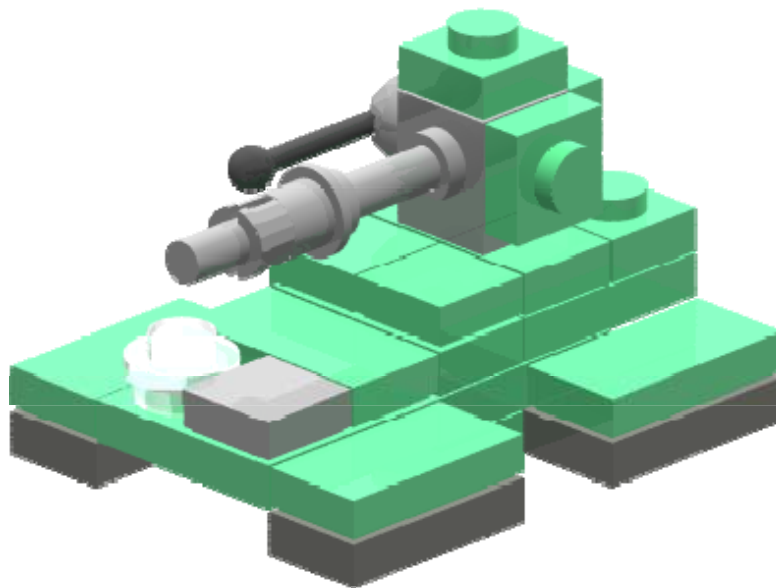
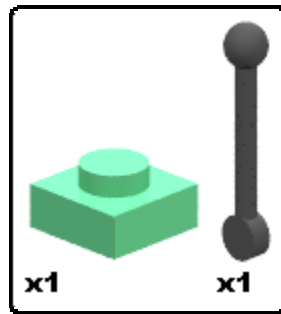
Step 5



Step 6



Step 7



Congratulations!

You have completed your Mini Human Tank!

For more instructions please visit:

<http://www.saber-scorpion.com/shop>